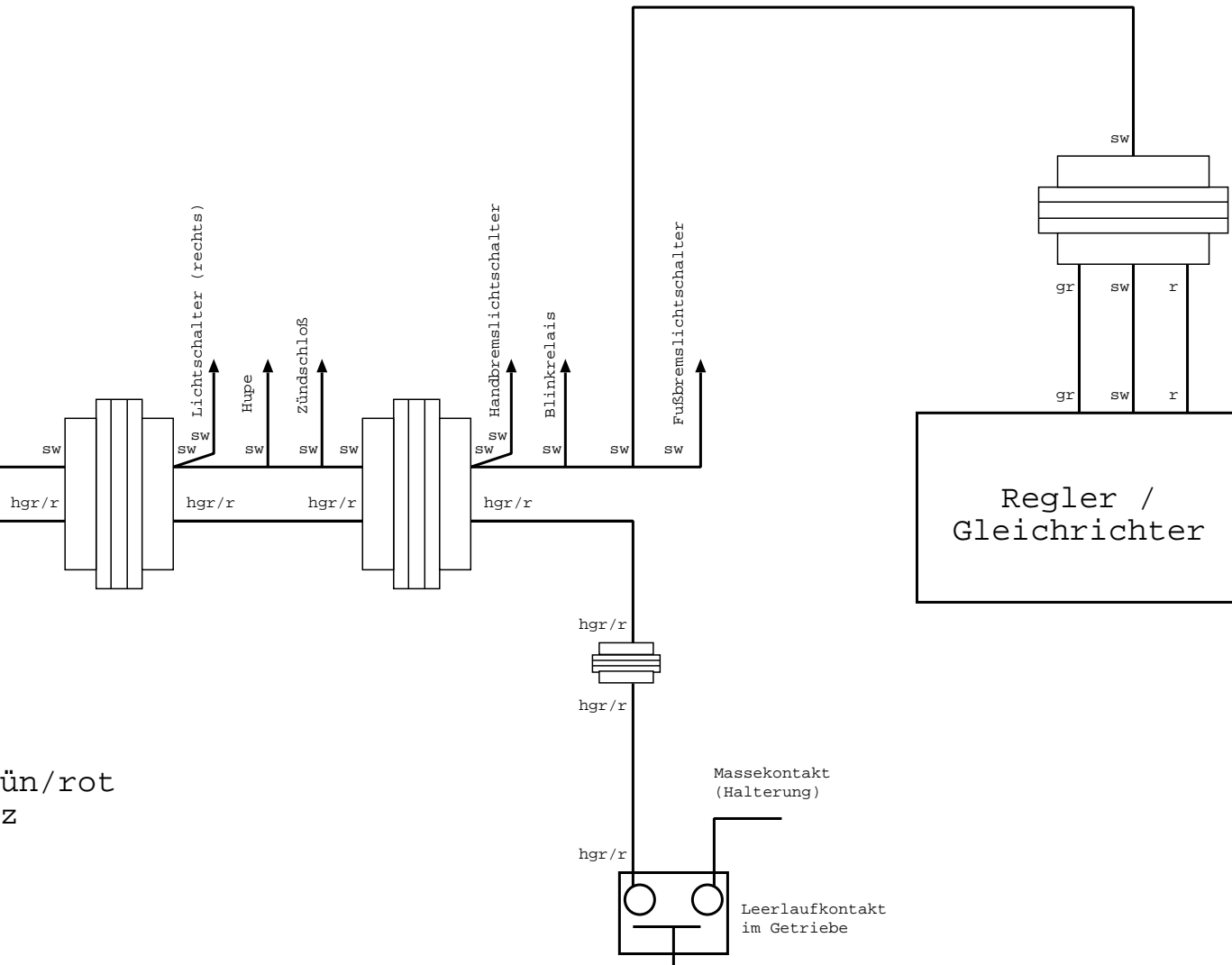


hgr/r

sw



hgr/r = hellgrün/rot  
 sw = schwarz  
 r = rot